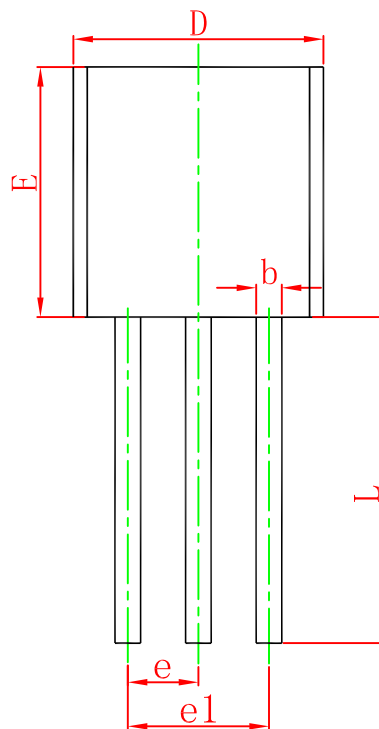
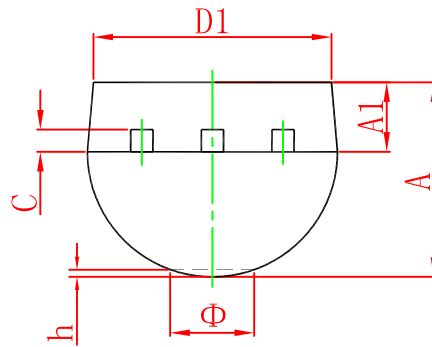
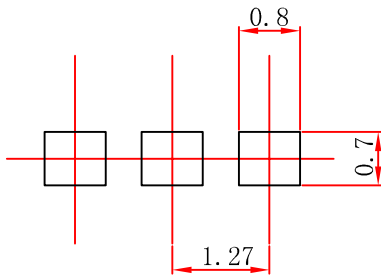


TO-92 PACKAGE OUTLINE DIMENSIONS



Symbol	Dimensions In Millimeters		Dimensions In Inches	
	Min.	Max.	Min.	Max.
A	3.300	3.700	0.130	0.146
A1	1.100	1.400	0.043	0.055
b	0.380	0.550	0.015	0.022
c	0.360	0.510	0.014	0.020
D	4.300	4.700	0.169	0.185
D1	3.430		0.135	
E	4.300	4.700	0.169	0.185
e	1.270 TYP.		0.050 TYP.	
e1	2.440	2.640	0.096	0.104
L	14.100	14.500	0.555	0.571
Φ		1.600		0.063
h	0.000	0.380	0.000	0.015



- 技术要求
1. 塑封体尺寸4.50×4.50;
 2. 未注公差为: ±0.05;
 3. 所有单位为: mm。

中心距: 1.27
 脚宽: 0.46
 焊盘宽: 0.80
 脚厚: 0.38
 焊盘长: 0.70

媒体编号

镀涂

旧底图总号

底图总号

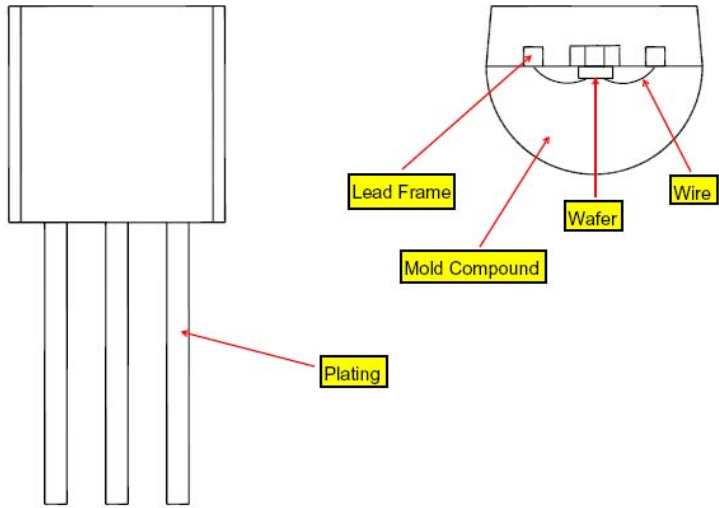
更改标记	数量	更改单号	签名	日期
设计				
审核				
工艺				
标准化				
批准				

TO-92 焊 盘

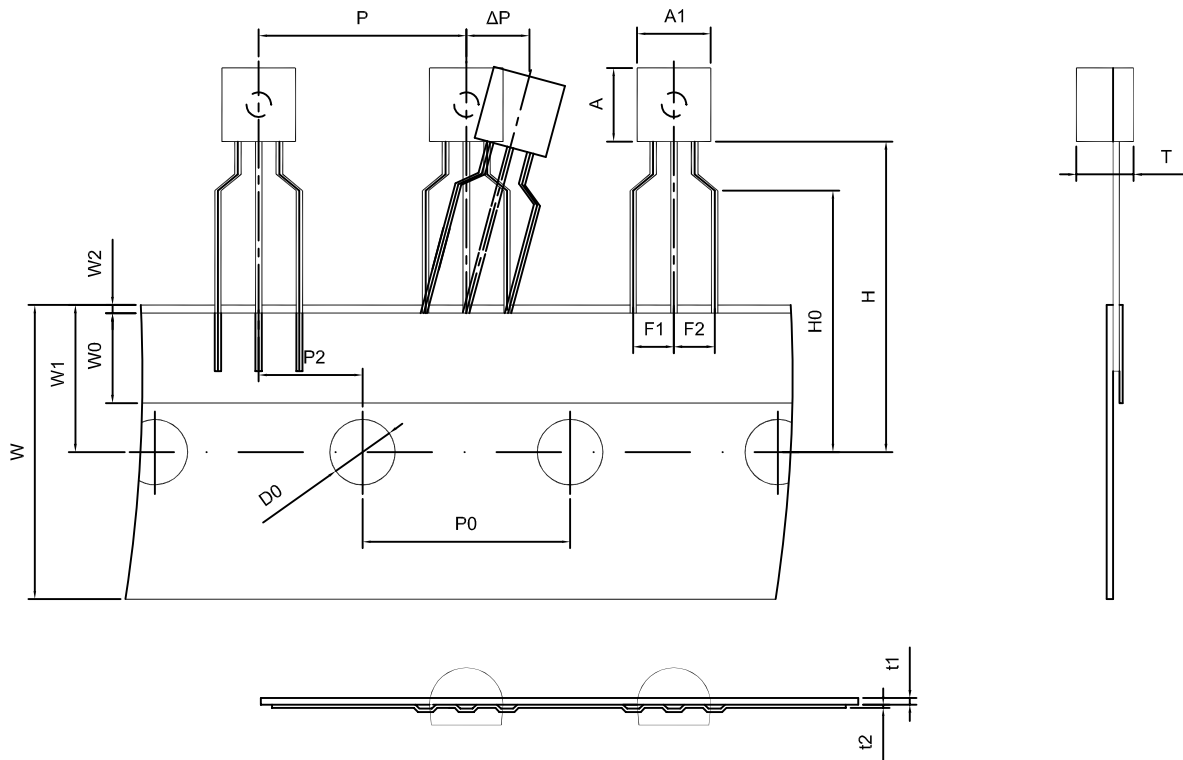
等级标记	版 号	比 例
		10:1
第 1 张		共 1 张

日期 签名

江苏长电科技股份有限公司

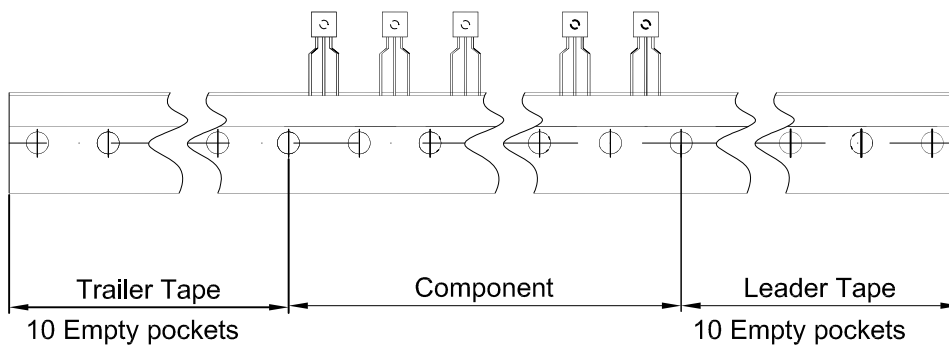


TO-92 PACKAGE TAPEING DIMENSION



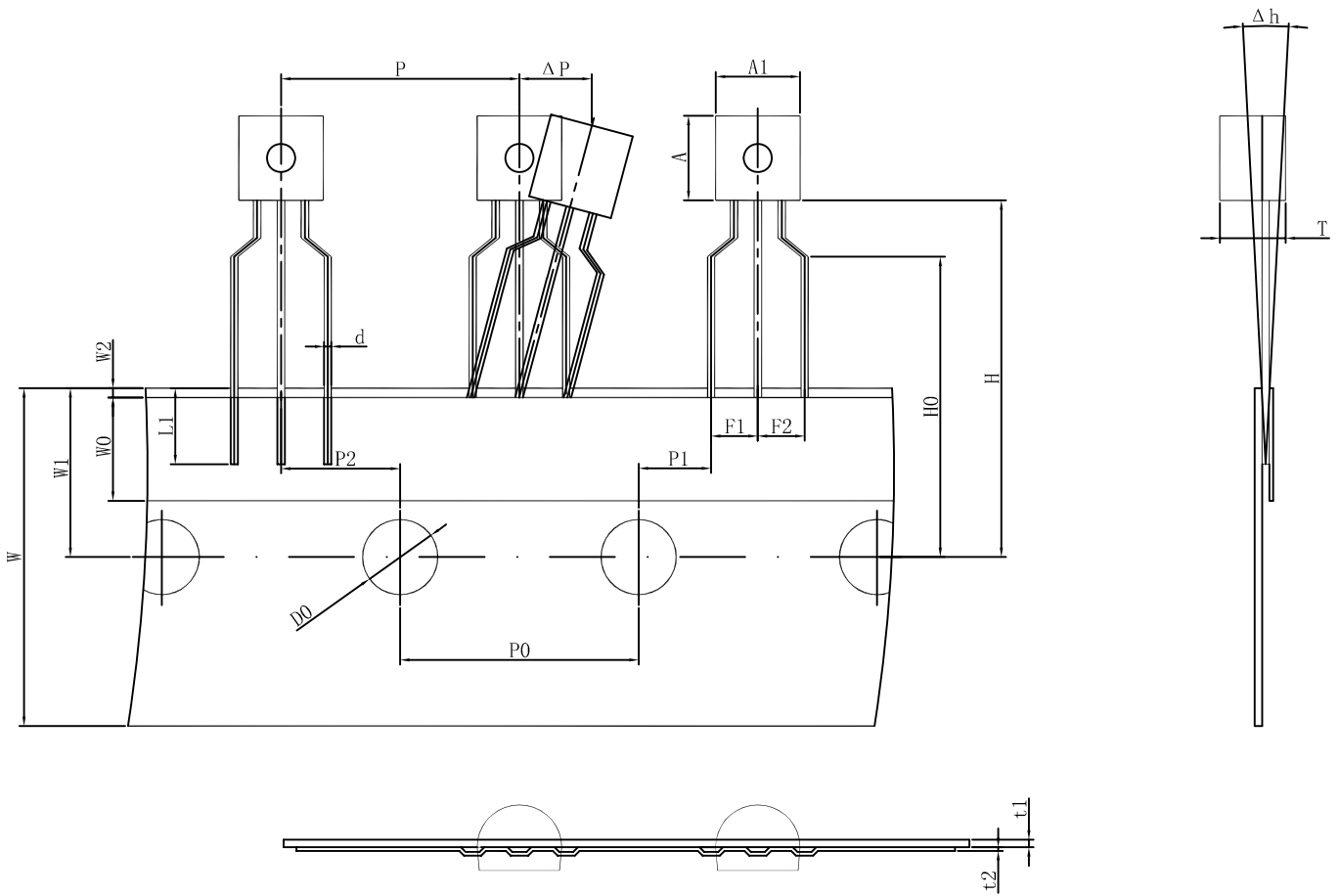
Dimensions are in millimeter

A1	A	T	P	P0	P2	F1	F2	W
4.5±0.2	4.5±0.2	3.5±0.2	12.7±0.3	12.7±0.2	6.35±0.3	2.5±0.3	2.5±0.3	18.0+1.0/-0.5
W0	W1	W2	H	H0	D0	t1	t2	ΔP
6.0±0.5	9.0±0.5	1.0 MAX.	19.0±1.0	16.0±0.5	4.0±0.5	0.4±0.05	0.2±0.05	0 ± 1.0



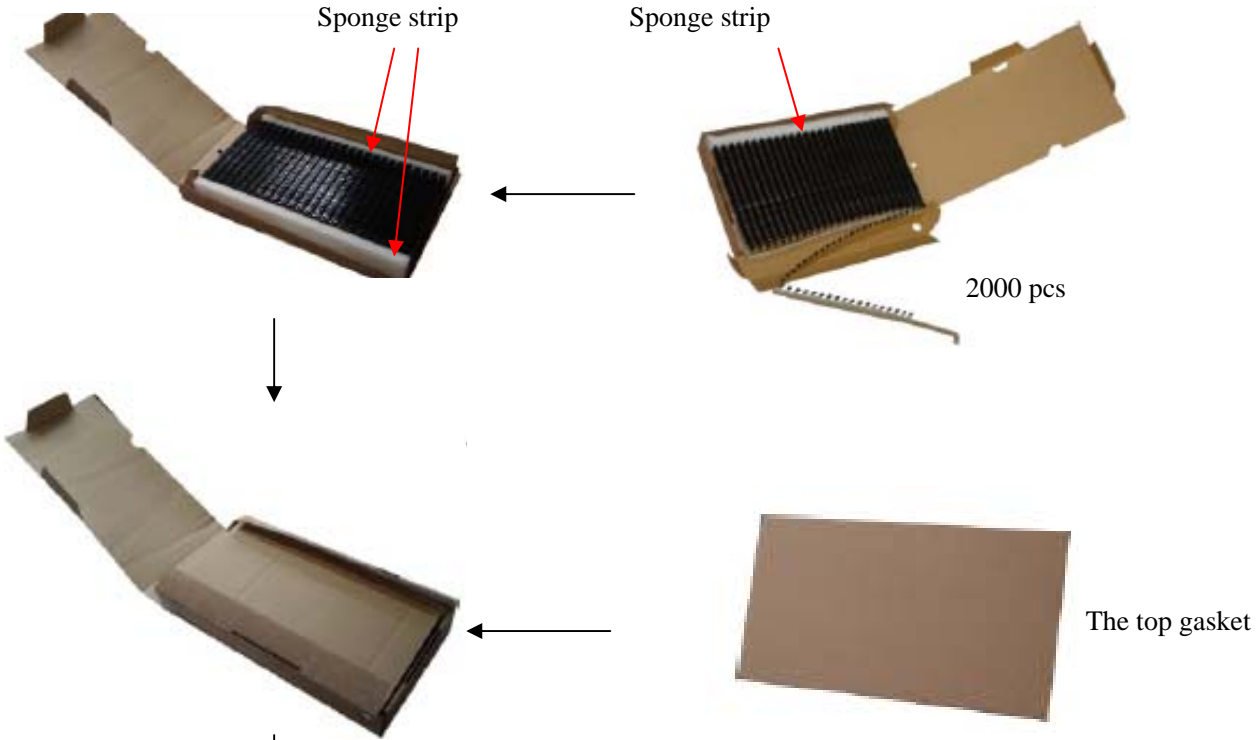
Package	Box	Box Size(mm)	Carton	Carton Size(mm)
TO-92	2000 pcs	333×162×43	20,000 pcs	350×340×250

TO-92 PACKAGE TAPEING DIMENSION

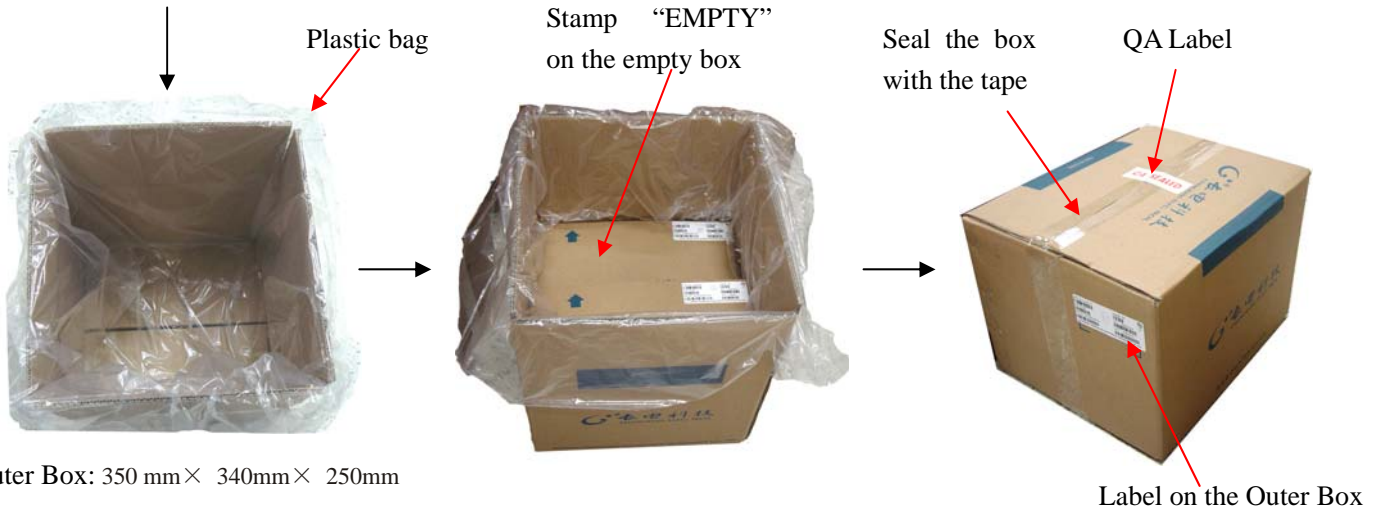


Item	Symbol	Value & Tolerance
Body width	A1	4.5 ± 0.2
Body height	A	4.5 ± 0.2
Body thickness	T	3.5 ± 0.2
Lead wire diameter	d	0.46 ± 0.05
Pitch of component	P	12.7 ± 0.3
Feed hole pitch	P0	12.7 ± 0.2
Hole center to component center	P2	6.35 ± 0.3
Lead to lead distance	F1,F2	2.5 ± 0.3
Component alignment, F-R	Δh	0 ± 1.0
Type width	W	18.0 + 1.0, - 0.5
Hole down tape width	W0	6.0 ± 0.5
Hole position	W1	9.0 ± 0.5
Hole down tape position	W2	1.0 MAX.
Height of component from tape center	H	19.0 ± 1.0
Lead wire clinch height	H0	16.0 ± 0.5
Lead wire(tape portion)	L1	2.5 MIN.
Feed hole diameter	D0	4.0 ± 0.2
Taped Lead Thickness	t1	0.4 ± 0.05
Carrier Tape Thickness	t2	0.2 ± 0.05
Position of hole	P1	3.85 ± 0.3
Component alignment	ΔP	0 ± 1.0

Unit : mm



Inner Box: 333 mm × 162mm × 43mm



Outer Box: 350 mm × 340mm × 250mm



Inner Box: 240 mm × 165mm × 95mm



Label on the Inner Box

Stamp "EMPTY"
on the empty box



Outer Box: 525 mm × 360mm × 262mm

Seal the box
with the tape

QA Label



Label on the Outer Box