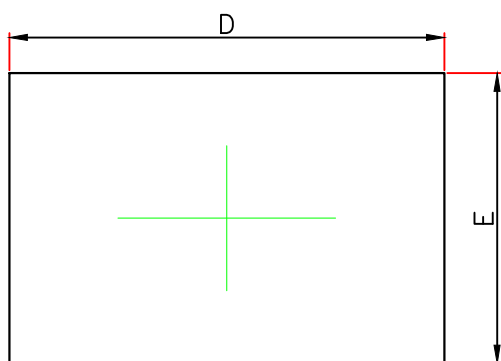
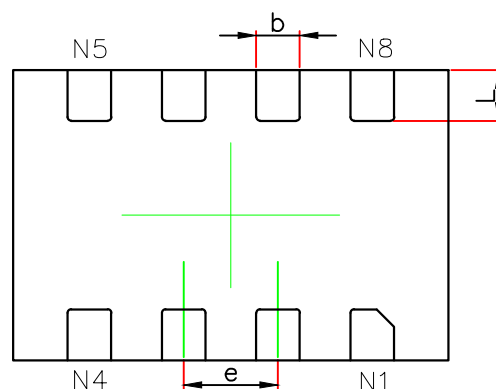




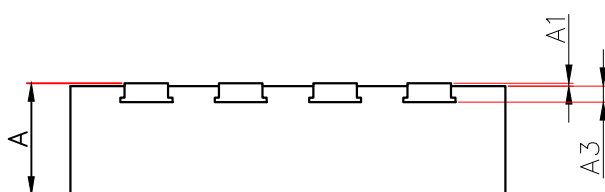
MISWB3×2-8L (P0. 65T0. 75) PACKAGE OUTLINE DIMENSIONS



TOP VIEW



BOTTOM VIEW



SIDE VIEW

| Symbol | Dimensions In Millimeters | | Dimensions In Inches | |
|--------|---------------------------|-------|----------------------|-------|
| | Min. | Max. | Min. | Max. |
| A | 0.700 | 0.800 | 0.028 | 0.031 |
| A1 | -0.004 | 0.046 | 0.000 | 0.002 |
| A3 | 0.110REF. | | 0.004REF. | |
| D | 2.950 | 3.050 | 0.116 | 0.120 |
| E | 1.950 | 2.050 | 0.077 | 0.081 |
| D1 | — | — | — | — |
| E1 | — | — | — | — |
| k | — | | — | |
| b | 0.250 | 0.350 | 0.010 | 0.014 |
| e | 0.650TYP. | | 0.026TYP. | |
| L | 0.300 | 0.500 | 0.012 | 0.020 |