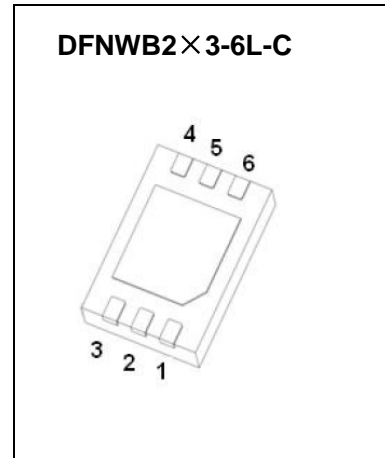




DFNWB2×3-6L-C Plastic-Encapsulate MOSFETS

CJCD2007 Dual N-Channel MOSFET

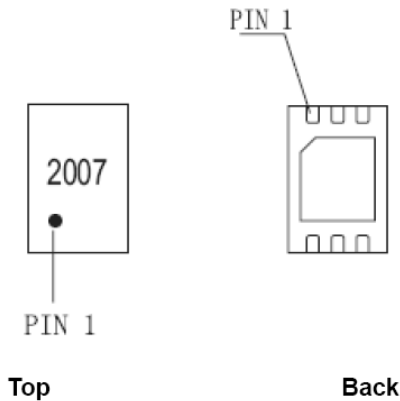
| $V_{(BR)DSS}$ | $R_{DS(on)MAX}$ | I_D |
|---------------|-----------------|-------|
| 20V | 20 mΩ@10V | 7A |
| | 22 mΩ@4.5V | |
| | 24mΩ@3.8V | |
| | 26 mΩ@2.5V | |
| | 35mΩ@1.8V | |



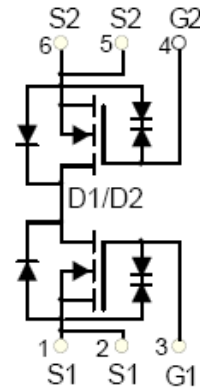
DESCRIPTION

The CJCD2007 uses advanced trench technology to provide excellent $R_{DS(ON)}$ and low gate charge. It is ESD protected. This device is suitable for use as a uni-directional or bi-directional load switch, facilitated by its common-drain configuration.

MARKING:



Equivalent Circuit



MAXIMUM RATINGS ($T_a=25^{\circ}C$ unless otherwise noted)

| Parameter | Symbol | Value | Unit |
|--|-----------------|----------|---------------|
| Drain-Source Voltage | V_{DS} | 20 | V |
| Gate-Source Voltage | V_{GS} | ±12 | V |
| Continuous Drain Current | I_D | 7 | A |
| Pulsed Drain Current | I_{DM}^* | 30 | A |
| Thermal Resistance from Junction to Ambient | $R_{\theta JA}$ | 125 | $^{\circ}C/W$ |
| Junction Temperature | T_j | 150 | $^{\circ}C$ |
| Storage Temperature | T_{stg} | -55~+150 | $^{\circ}C$ |
| Lead Temperature for Soldering Purposes(1/8" from case for 10 s) | T_L | 260 | $^{\circ}C$ |

*Repetitive rating: Pulse width limited by junction temperature.

MOSFET ELECTRICAL CHARACTERISTICS

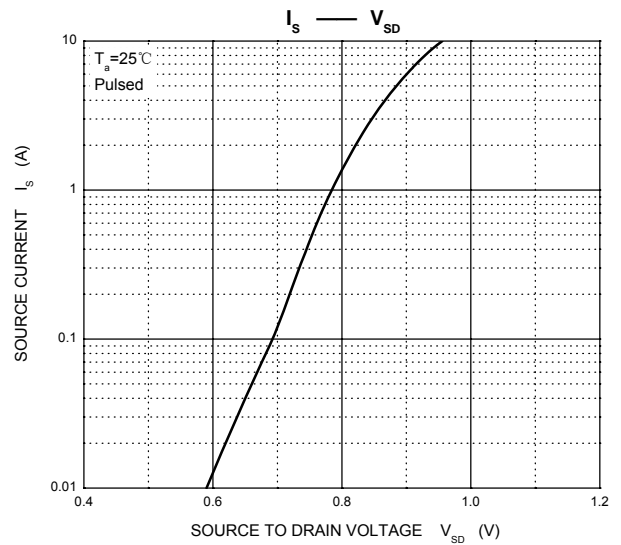
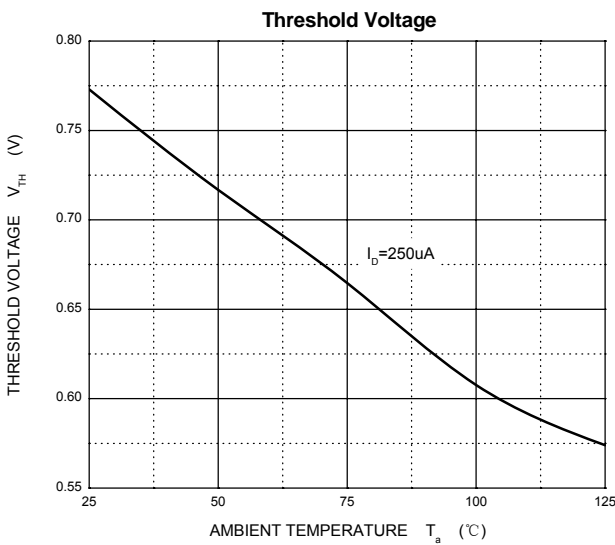
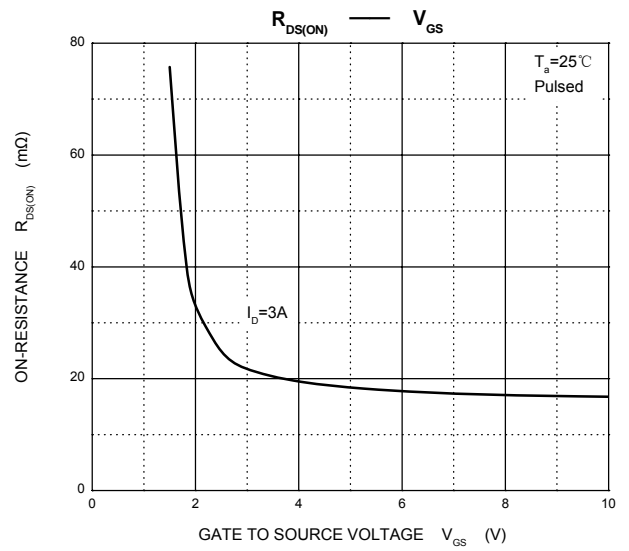
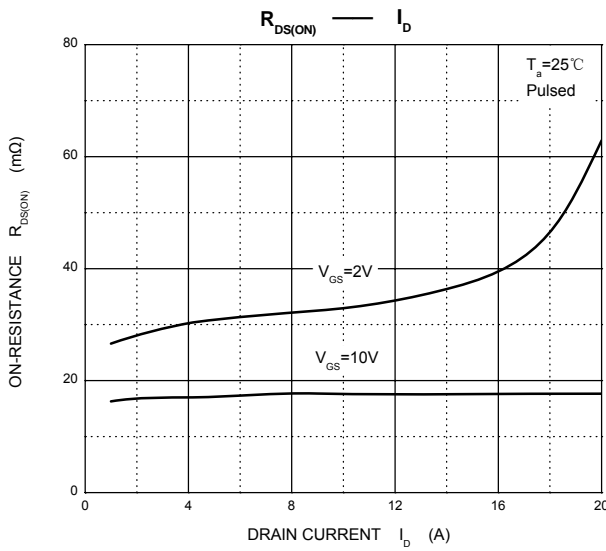
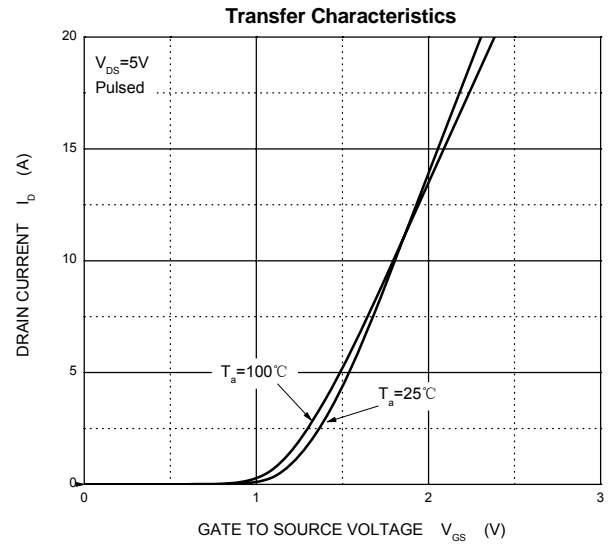
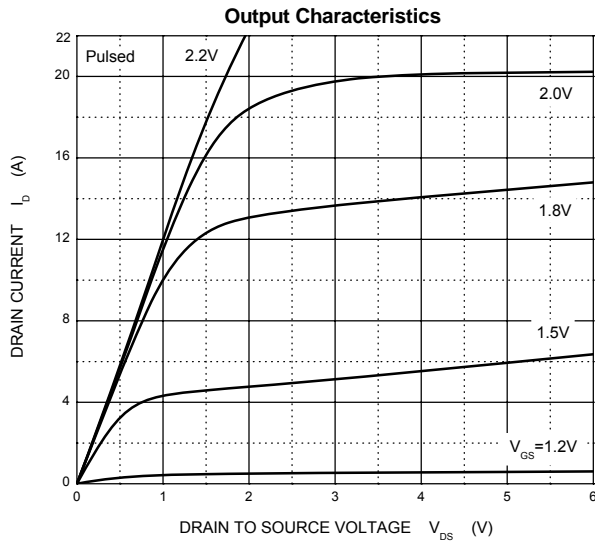
$T_a = 25^\circ\text{C}$ unless otherwise specified

| Parameter | Symbol | Test Condition | Min | Typ | Max | Unit |
|--------------------------------------|---------------|---|-----|------|----------|------------|
| STATIC PARAMETERS | | | | | | |
| Drain-source breakdown voltage | $V_{(BR)DSS}$ | $V_{GS} = 0V, I_D = 250\mu A$ | 20 | | | V |
| Zero gate voltage drain current | I_{DSS} | $V_{DS} = 16V, V_{GS} = 0V$ | | | 1 | μA |
| Gate-body leakage current | I_{GSS} | $V_{GS} = \pm 4.5V, V_{DS} = 0V$ | | | ± 1 | μA |
| | | $V_{GS} = \pm 8V, V_{DS} = 0V$ | | | ± 10 | μA |
| Gate threshold voltage (note 1) | $V_{GS(th)}$ | $V_{DS} = V_{GS}, I_D = 250\mu A$ | 0.4 | | 1 | V |
| Drain-source on-resistance (note 1) | $R_{DS(on)}$ | $V_{GS} = 10V, I_D = 7A$ | | | 20 | m Ω |
| | | $V_{GS} = 4.5V, I_D = 6.6A$ | | | 22 | m Ω |
| | | $V_{GS} = 3.8V, I_D = 6A$ | | | 24 | m Ω |
| | | $V_{GS} = 2.5V, I_D = 5.5A$ | | | 26 | m Ω |
| | | $V_{GS} = 1.8V, I_D = 5A$ | | | 35 | m Ω |
| Forward transconductance (note 1) | g_{FS} | $V_{DS} = 5V, I_D = 7A$ | 9 | | | S |
| Diode forward voltage (note 1) | V_{SD} | $I_S = 1A, V_{GS} = 0V$ | | | 1 | V |
| DYNAMIC PARAMETERS (note 2) | | | | | | |
| Input Capacitance | C_{iss} | $V_{DS} = 10V, V_{GS} = 0V, f = 1MHz$ | | 1150 | | pF |
| Output Capacitance | C_{oss} | | | 185 | | pF |
| Reverse Transfer Capacitance | C_{rss} | | | 145 | | pF |
| Total gate charge | Q_g | $V_{DS} = 10V, V_{GS} = 4.5V, I_D = 7A$ | | 15 | | nC |
| Gate-source charge | Q_{gs} | | | 0.8 | | nC |
| Gate-drain charge | Q_{gd} | | | 3.2 | | nC |
| SWITCHING PARAMETERS (note 2) | | | | | | |
| Turn-on delay time | $t_{d(on)}$ | $V_{GS} = 5V, V_{DD} = 10V,$ $R_L = 1.35\Omega, R_{GEN} = 3\Omega$ | | 6 | | ns |
| Turn-on rise time | t_r | | | 13 | | ns |
| Turn-off delay time | $t_{d(off)}$ | | | 52 | | ns |
| Turn-off fall time | t_f | | | 16 | | ns |

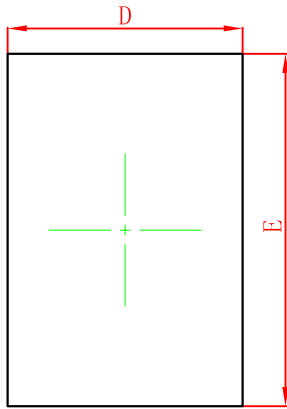
Notes :

1. Pulse Test : Pulse width $\leq 300\mu s$, duty cycle $\leq 0.5\%$.
2. Guaranteed by design, not subject to production testing.

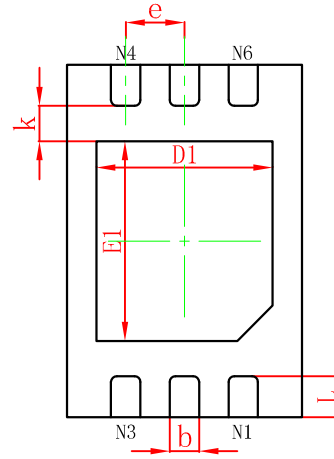
Typical Characteristics



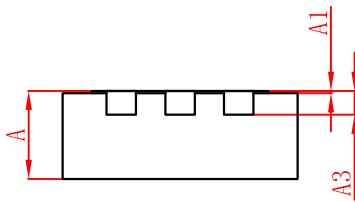
DFNWB2 × 3-6L-C Package Outline Dimensions



TOP VIEW



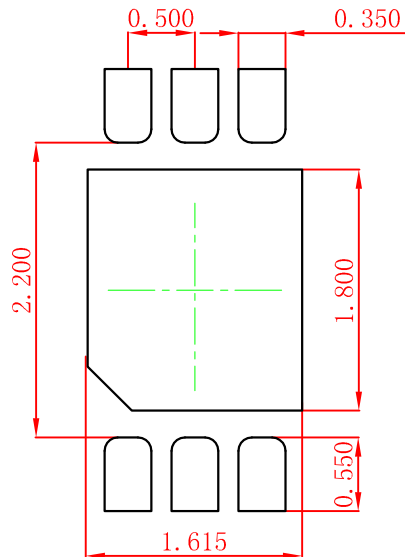
BOTTOM VIEW



SIDE VIEW

| Symbol | Dimensions In Millimeters | | Dimensions In Inches | |
|--------|---------------------------|-------|----------------------|-------|
| | Min. | Max. | Min. | Max. |
| A | 0.700 | 0.800 | 0.028 | 0.031 |
| A1 | 0.000 | 0.050 | 0.000 | 0.002 |
| A3 | 0.203REF. | | 0.008REF. | |
| D | 1.950 | 2.050 | 0.077 | 0.081 |
| E | 2.950 | 3.050 | 0.116 | 0.120 |
| D1 | 1.400 | 1.600 | 0.055 | 0.063 |
| E1 | 1.600 | 1.800 | 0.063 | 0.071 |
| k | 0.200MIN. | | 0.008MIN. | |
| b | 0.200 | 0.300 | 0.008 | 0.012 |
| e | 0.500TYP. | | 0.020TYP. | |
| L | 0.300 | 0.400 | 0.012 | 0.016 |

DFNWB2 × 3-6L-C Suggested Pad Layout



Note:

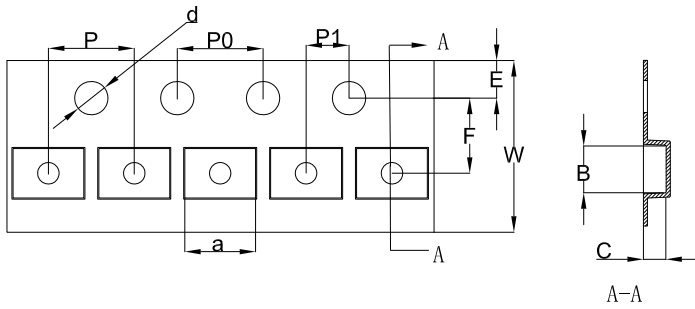
1. Controlling dimension: in millimeters.
2. General tolerance: ± 0.050 mm.
3. The pad layout is for reference purposes only.

NOTICE

JCET reserve the right to make modifications, enhancements, improvements, corrections or other changes without further notice to any product herein. JCET does not assume any liability arising out of the application or use of any product described herein.

DFNWB2X3-6L Tape and Reel

DFNWB2*3-6L Embossed Carrier Tape



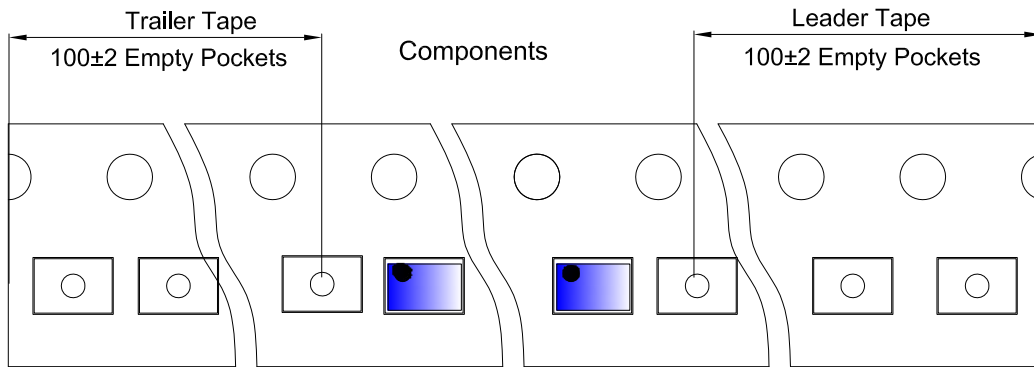
Packaging Description:

DFNWB2*3-6L parts are shipped in tape. The carrier tape is made from a dissipative (carbon filled) polycarbonate resin. The cover tape is a multilayer film (Heat Activated Adhesive in nature) primarily composed of polyester film, adhesive layer, sealant, and anti-static sprayed agent. These reeled parts in standard option are shipped with 3,000 units per 7" or 18.0cm diameter reel. The reels are clear in color and is made of polystyrene plastic (anti-static coated).

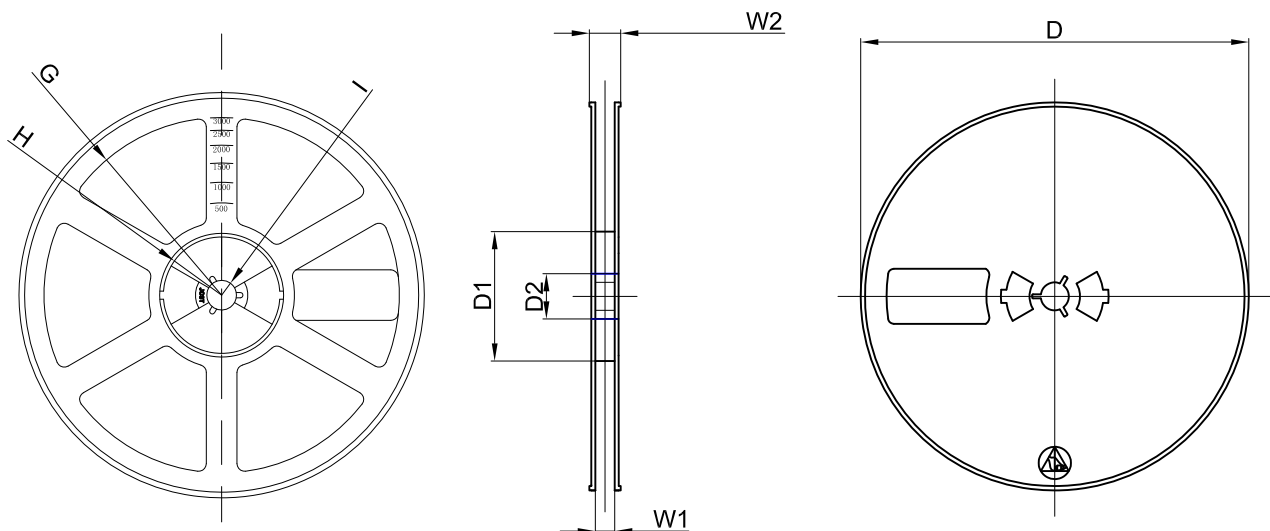
ALL DIM IN mm

| Dimensions are in millimeter | | | | | | | | | | |
|------------------------------|------|------|------|-------|------|------|------|------|------|------|
| Pkg type | a | B | C | d | E | F | P0 | P | P1 | W |
| DFNWB2*2-6L | 3.30 | 2.30 | 1.10 | Ø1.55 | 1.75 | 3.50 | 4.00 | 4.00 | 2.00 | 8.00 |

DFNWB2*3-6L Tape Leader and Trailer



DFNWB2*3-6L Reel



| Dimensions are in millimeter | | | | | | | | |
|------------------------------|---------|-------|-------|--------|--------|-------|------|-------|
| Reel Option | D | D1 | D2 | G | H | I | W1 | W2 |
| 7" Dia | Ø180.00 | 60.00 | 13.00 | R78.00 | R25.60 | R6.50 | 9.50 | 13.10 |

| REEL | Reel Size | Box | Box Size(mm) | Carton | Carton Size(mm) | G.W.(kg) |
|----------|-----------|------------|--------------|-------------|-----------------|----------|
| 3000 pcs | 7 inch | 30,000 pcs | 203×203×195 | 120,000 pcs | 438×438×220 | |